



QUFRESH™



SPECIFICATIONS

FAS

FRESH AIR SUPPLY FAN



130 CFM @ 0.20" SP., 33.6 Watts
 120 CFM @ 0.20" SP., 30.1 Watts
 110 CFM @ 0.20" SP., 27.5 Watts
 100 CFM @ 0.20" SP., 26.3 Watts
 90 CFM @ 0.20" SP., 21.8 Watts
 80 CFM @ 0.20" SP., 19.5 Watts

70 CFM @ 0.20" SP., 17.1 Watts
 60 CFM @ 0.20" SP., 15.1 Watts
 50 CFM @ 0.20" SP., 13.0 Watts
 40 CFM @ 0.20" SP., 11.3 Watts
 30 CFM @ 0.20" SP., 10.1 Watts

Blower Wheel

Balanced polymeric dual inlet blower wheel secured in place using a hex nut.

Adjustable Capacity Motor

11 capacity settings allow the fan to be set to the required intake. Set points include: 30 40 50 60 70 80 90 100 110 120 130 CFM
4 Pole motor, permanently lubricated, 115/120V 60 Hz., 0.30 amps.

Fan Housing

Insulated 26 gauge baked epoxy housing. Overall dimensions: 147/8"H x 111/2"D x 101/8"W.

Duct Collars

6" round, zinc plated metal collar adapters.

Electrical Connections

0.5" electrical access. Easy wiring access via external wiring compartment cover or internal access plate.

Unit Mounting

Designed to surface mount to a wall or ceiling with the included mounting brackets. Can be mounted onto joists, studs or the housing mounting brackets can be adapted for overhead mounting (hardware not provided).

Single Pack Shipping Info

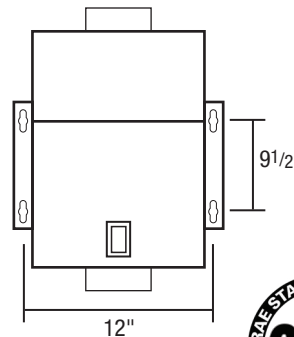
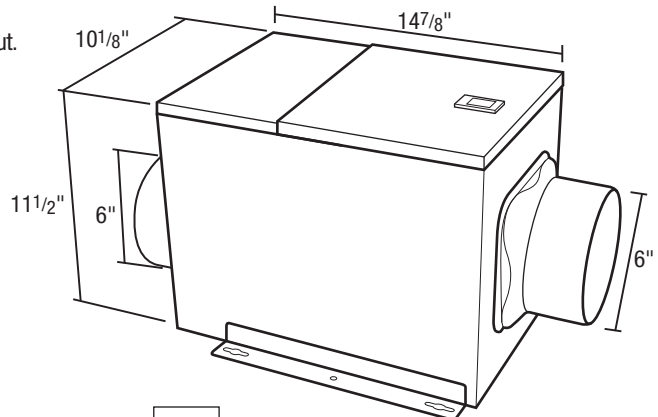
Box Dim: 20" x 157/8" x 113/8"
Shipping Weight: 17 lbs.

Optional Air Filter

An optional 10" x 10" x 2" air filter can be added to the unit (not included).

Test Port

Allows easy air flow measurement with Pitot tube or similar device.



SEE REVERSE SIDE FOR STATIC PRESSURE RANGES

PROJECT							ARCHITECT			
LOCATION							ENGINEER			
CONTRACTOR							SUBMITTED BY		DATE	
FAN NUMBER	MODEL NUMBER	CFM	IN W.G.	RPM	WATTS	AMPS	SONES	QTY	OPTIONAL EQUIPMENT & REMARKS	



820 Lincoln Avenue • West Chester, Pennsylvania 19380-4466



QUFRESH™

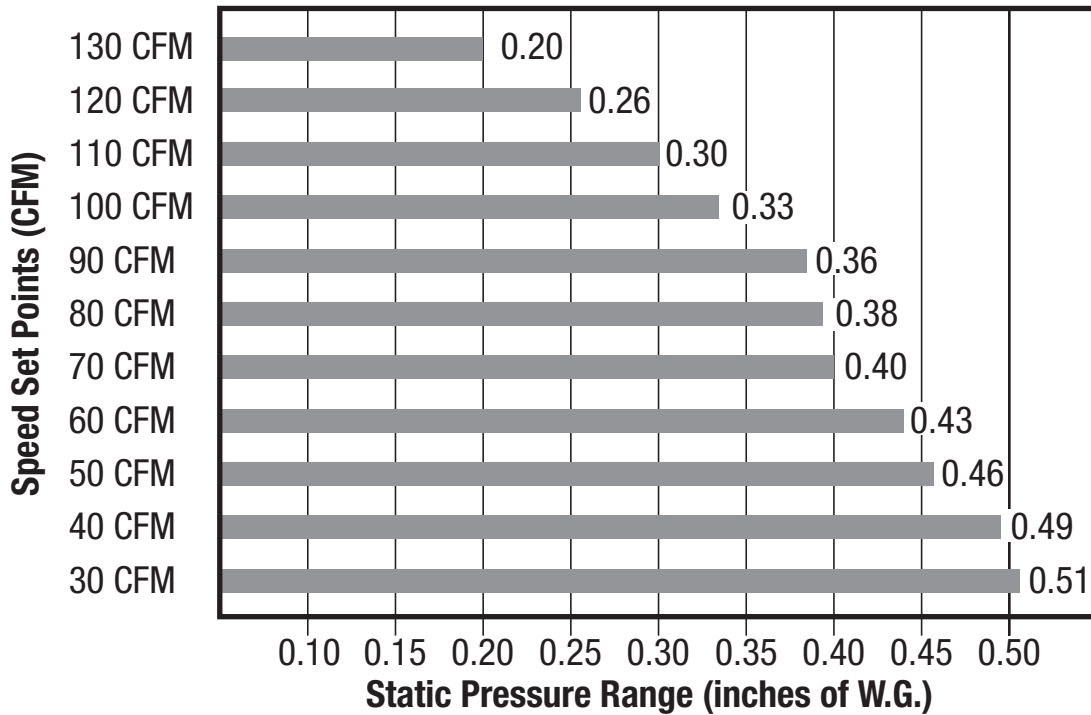


SPECIFICATIONS

FAS

FRESH AIR SUPPLY FAN

ACHIEVABLE STATIC PRESSURES



820 Lincoln Avenue • West Chester, Pennsylvania 19380-4466